

# Thermal Imaging Bullet Camera

## IRS-FB430-T

---



### Product Feature

1. With the latest 12 $\mu$ m thermal imaging detector and advanced thermal image algorithm, it can make farther and clearer images.
2. Support professional temperature measurement tools, support intelligent fire detection algorithm.
3. Smart event analysis such as tripwire intrusion and area intrusion are available.
4. One-piece body design with encapsulation rating IP66.
5. DC12 or PoE power supply is available.
6. ONVIF&GB28181 standard interface protocol, SDK, matched NVR and VMS client software is available.

## Camera Specifications

Technical Specifications		IRS-FB430-T			
<b>Thermal Parameters</b>	Detector Type	VOx, uncooled FPA detectors			
	Spectral Range	8 ~ 14μm			
	NETD	≤40mK(@25°C,F#1.0,25Hz)			
	Max. Resolution	384×288			
	Pixel Pitch	12μm			
	Focal Length	9.1mm	13mm	19mm	25mm
	Focus Type	Athermal fixed focus			
	FOV	28°×21°	20°×15°	13°×10°	10°×7.9°
	F#	1.0	1.0	1.0	1.0
	IFOV	1.32mrad	0.92mrad	0.63mrad	0.48mrad
Palette	20 palettes available such as Whitehot/Blackhot/Rainbow.				
<b>Network Functions</b>	Network Protocol	IPv4,HTTP,HTTPS,QoS,FTP,SMTP,UPnP,SNMP,DNS,DDNS,NTP,RTSP,RTCP,RTP,TCP,UDP,IGMP,ICMP,DHCP			
	Interoperability	ONVIF, GB28181, SDK			
	Number of Videos Previewed Simultaneously	Support up to 20 channels			
	User Management	Up to 20 users, two levels: administrator and user			
	Browser	Support IE and Chrome browser , Chinese and English are supported.			
<b>Video Parameters</b>	Max. Resolution	1280×1024			
	Image Format	JPEG			
	Audio Compression Standard	G.711a/G.711u/AAC/PCM			
	Video Compression Standard	H.264/H.265			

	Main stream	25fps(1280×1024,1024×768)
	Sub stream	25fps(384×288)
<b>Temperature Measurement</b>	Measuring Range	-20℃~+550℃
	Measuring Accuracy	±2℃ or ±2% (The larger value shall prevail)
	Temperature Analysis	Support temperature measurement tools such as full frame, spot, line, region and linkage alerts
<b>Smart Functions</b>	Fire Warning	Support fire detection
	Smart Video	Alarm trigger recording, disconnection trigger recording
	Smart Alarming	Support triggering alarm and linkage alarm of network disconnection, IP address conflict, memory error, illegal access and burn alarm
	Smart Detecting	Support event analysis functions such as area intrusion, tripwire intrusion, etc.
	Voice Intercom	Support two-way voice intercom
	Linkage Alarm	Video/image/mail/ alarm output / sound and light alarm
<b>System Interface</b>	Power Interface	DC 12V±25% / PoE(802.3at)
	Communication Interface	1 RJ45 10M/100M adaptive Ethernet port
	Audio Interface	1 channel audio input, 1 channel audio output
	Alarm Interface	2-channel alarm input, 2-channel alarm output
	Storage Interface	Micro SD memory (maximum 256G)
	RS485	1 channel RS485 and support Pelco protocol
<b>General Specification</b>	Operating Temperature& Humidity	-40℃ ~ +70℃ ; <95%RH
	Encapsulation Rating	IP66
	Power Consumption	≤4W

	Dimension (mm)	319.5×121.5×103.6mm
	Weight	≤1.8kg

## Operating Distance

The recommended distance of detecting, recognizing and identifying for human (1.8×0.5m) and vehicles (1.4×4.0m) are as follows:

DD stands for Detecting Distance;

RD stands for Recognizing Distance;

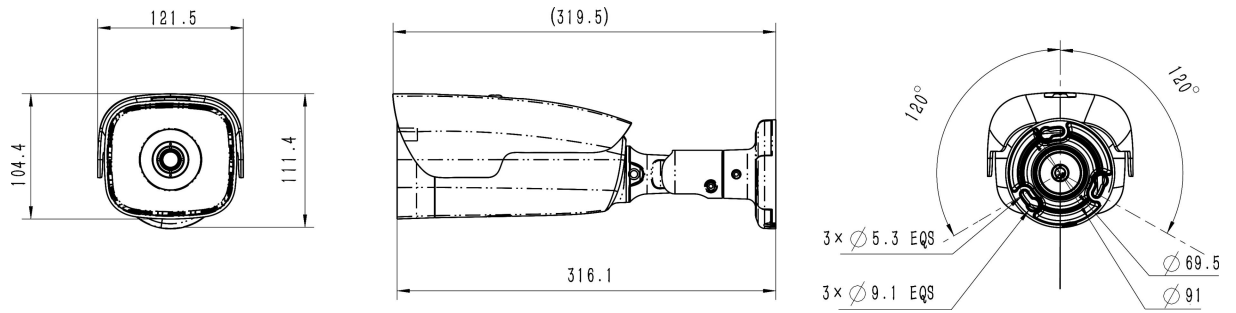
ID stands for Identifying Distance;

Equipped Lens	DD (vehicle)	DD (human)	RD (vehicle)	RD (human)	ID (vehicle)	ID (human)
9.1mm	1163m	379m	291m	95m	145m	47m
13mm	1661m	542m	415m	135m	208m	68m
19mm	2428m	792m	607m	198m	303m	99m
25mm	3194m	1042m	799m	260m	399m	130m

## Operating Distance of Smart Analysis

Equipped Lens	RD (human)	RD (vehicle)	Temperature Measurement (2m×2m)	Temperature Measurement (1m×1m)	Fire Detection (2m×2m)	Fire Detection (1m×1m)
9.1mm	71m	218m	253m	126m	1011m	506m
13mm	102m	311m	361m	181m	1444m	722m
19mm	148m	455m	528m	264m	2111m	1056m
25mm	195m	599m	694m	347m	2778m	1389m

## Structural Drawings



©IRay Technology Co., Ltd. 2023. All rights reserved worldwide.

This datasheet is subject to change without prior notice. Please contact us to get the latest datasheet.